

Original VACPAN™ Installation Instructions

(Please read instructions prior to installation.)

INSTALLATION TIPS

- Plan the location of your ORIGINAL VACPAN to be conveniently located for sweeping clean-ups. Also consider ease of access of vacuum tube piping connections during installation.
- The leading edge of the ORIGINAL VACPAN must sit flush with the finished floor.
- For maximum clearance, use Plastiflex part #SV8052 Universal Short 90° Elbow for connection to VACPAN.
- Do not glue the connection between ORIGINAL VACPAN and elbow, to allow for future removal.
- Prior to final installation, check for an airtight seal between ORIGINAL VACPAN and elbow. Teflon tape may be used if required.
- Allow for 1/2" vertical play in vacuum tube piping at ORIGINAL VACPAN location, so that final piping connections can be made.

UNDER CABINET INSTALLATIONS

- ORIGINAL VACPAN requires a minimum 2-1/4" toe kick height.
- Once the ORIGINAL VACPAN location is determined, cut a 6-3/4" long x 1-3/4" high slot in the cabinet toe kick to accept the ORIGINAL VACPAN.
- Run vacuum tube piping and low voltage wire from the main piping line to the ORIGINAL VACPAN location.
- Access for final piping connections must be made.

Access From Below

If access is available from below, cut an access hole through the subfloor underneath the cabinet, positioned so that final piping connections can be made by reaching through the access hole.

Access Through Cabinet Floor

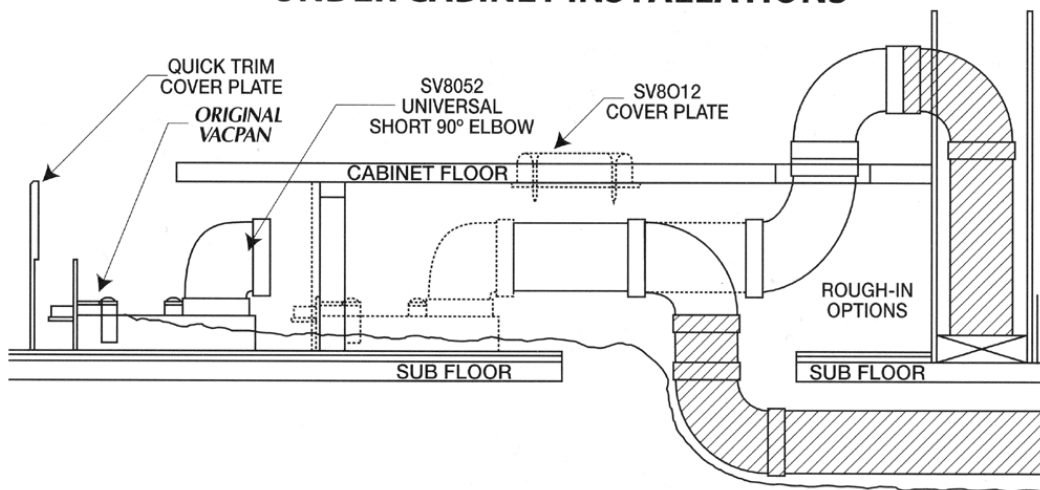
Access can be made through the finished cabinet floor. Cut a 2-3/4" x 3-1/2" access hole, positioned so that final piping connections can be made by reaching through the access hole. Plastiflex part #SVSO12 Cover Plate can be used to cover the hole after installation. Access

Through Cabinet Toe Kick

Access can be made through the cabinet toe kick by cutting up to a 10-1/2" x 4" slot and using the ORIGINAL VACPAN Quick Trim Cover Plate (included or Plastiflex part #VCPx01 sold separately). If required, score back of Quick Trim Cover Plate with a knife and snap along grooves for height adjustment.

- Attach low voltage wires to ORIGINAL VACPAN terminal connections marked "low voltage only".
- Slide ORIGINAL VACPAN into mounting slot and secure to toe kick using two #6 screws provided.
- Reach through access hole and make final piping connections.

UNDER CABINET INSTALLATIONS



VACPAN is a trademark of Plastiflex.

These directions are duplications of what comes with the product. M.D. Manufacturing, Inc. Central Vacuum sells VACPAN.

Visit centralvacuum.com or call 800-525-2055.

IN WALL INSTALLATIONS

- ORIGINAL VACPAN can be installed between wall studs inside walls.
- ORIGINAL VACPAN should be located tight to one side in stud space.
- Once the ORIGINAL VACPAN location is determined, cut a 6-3/4" long x 1-3/4" high slot in the wall and baseboard to accept the ORIGINAL VACPAN.
- The 2x4 wall bottom plate between the two studs must be removed. This can be achieved from below using a hole saw. In new home construction, the bottom wall plate can be removed directly. A 6-3/4" length of 2x4 can be used as a temporary rough in block that will force all trades to finish around, leaving a slot for the ORIGINAL VACPAN. Floor contractor must run flooring under block.
- Run vacuum tube piping and low voltage wire from the main line to ORIGINAL VACPAN location.
- Access for final piping connections must be made.

Access From Below

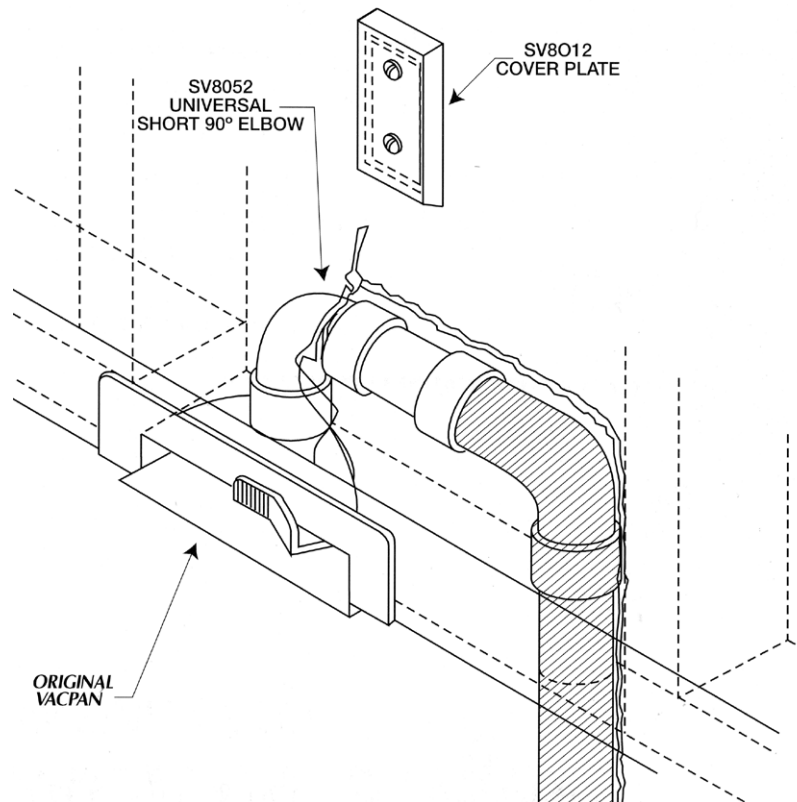
If access is available from below, cut an access hole through the subfloor underneath the wall between the studs, positioned so that final piping connections can be made by reaching through the access hole.

Access Through Wall

Access can be made through the finished wall. Cut a 2-3/4" x 3-1/2" access hole, positioned so that final piping connections can be made by reaching through the access hole. Plastiflex part# SV8012 Cover Plate can be used to cover the hole after installation.

- Attach low voltage wires to ORIGINAL VACPAN terminal connections marked "low voltage only".
- Slide ORIGINAL VACPAN into mounting slot and secure to wall using two #6 screws provided.
- Reach through access hole and make final fitting connections.

IN WALL INSTALLATIONS



VACPAN is a trademark of Plastiflex.

These directions are duplications of what comes with the product. M.D. Manufacturing, Inc. Central Vacuum sells VACPAN.

Visit centralvacuum.com or call 800-525-2055.