

VALET

Solutions for Smarter Living.

DUCTED VACUUM SYSTEMS OPERATING AND INSTALLATION MANUAL FILTER BAG UNIT

Your ducted vacuum system has been manufactured for a long trouble-free cleaning service life. Your power unit is covered by a manufacturers warranty, details of which are set out in the warranty card at the rear of this manual. Please read, then complete your warranty card registration and return to us by mail, within 30 days of installation so that the warranty may be validated. Your warranty does not cover abuse or misuse of the equipment. For assistance phone FREECALL 1800 050 333

PLEASE
AFFIX
POSTAGE
STAMP

VALET
Locked Bag 67
Wetherill Park BC
NSW 1851

Please read and save this booklet.
*After completing Warranty card at back, detach
and mail within 30 days of purchase*

INTRODUCTION

Congratulations on your purchase of your new Valet Ducted Vacuum System. We recommend that you carefully read this instruction manual for many years of satisfactory performance and use.

BEFORE YOU BEGIN

This product must be operated in accordance with these instructions and used only for domestic cleaning to remove DRY dirt and dust from household carpets, flooring and fabrics.

SAFETY REMINDERS AND TAKING CARE OF YOUR VALET SYSTEM

Please read these instructions thoroughly. This will ensure you obtain full benefit from your new vacuum system. Keep this instruction manual in a handy place for future reference and remember to complete and post your warranty registration form on the inside rear cover of this manual.

IMPORTANT

Please check your cleaner dust bag regularly when vacuuming new carpets as some new carpets release extra fluff as they settle down.

Do not pick up sharp objects, matches, hot ashes, cigarette ends or similar items.

Do not pick up flammable liquids such as cleaning fluids, petrol etc.

Do not use your system on wet surfaces or for wet pick up.

Please take care when cleaning stairs.

Do not allow children to operate your system or play near the Vacuum Motor.

Please remember your Valet Dealer is only a phone call away 1800 050 333

VALET VACUUM SYSTEMS

VALET

(A division of Electrical Home Aids Pty Ltd)
Locked Bag 67, Wetherill Park BC, NSW 1851 ACN 007 539 577

Valet undertakes to provide the following warranty cover according to the Valet system you have purchased.

ALL MODELS

1. 90 days on site parts and labour warranty. If any part proves to be defective in workmanship or material within a period of 90 days from purchase, Valet will repair or replace the part free of charge provided the system was installed by an authorised Valet dealer. If the system was not installed by a Valet dealer, labour and travel costs will be paid by the purchaser.

ALL MODELS

2. 12 months warranty on all attachments. Valet will repair or replace the hose or cleaning tools if they prove to be defective for a period of 12 months from date of purchase. Return freight to your nearest Valet dealer to be paid by purchaser.

VALUE VAC, VBS & VBC MODELS

3. 3 year warranty on motor. Valet will repair or replace a motor which proves defective within a period of 3 years from date of purchase. Return freight to your nearest Valet dealer to be paid by purchaser.

ALL MODELS (Except Value Vac, VBS, VBC)

4. 3 + 3 year warranty on all other Valet Vacuum Systems. Following the initial 90 day full on site parts and labour cover, Valet provide free parts and labour service for a period up to 3 years from date of purchase provided the unit is returned freight pre-paid to your nearest Valet Dealer. At the end of the 3-year warranty period the warranty will be extended for a further 3 years providing the purchaser first returns the unit to an approved Valet Dealer for a Maintenance Inspection at purchaser's cost.

CONDITIONS:-

- These warranty provisions exclude malfunction caused by misuse, abuse, accident, neglect, alteration or commercial use. It is important that vacuum systems which specifically require filter bags must have the bag correctly fitted. Systems must not be used to vacuum liquids, bricks, concrete, plaster, or similar dust.
- Consumable items such as dust bags, filters or carbon brushes are not covered by this warranty.
- The purchaser, by completing and returning the guarantee card, consents to Valet and related companies collecting their personal information and using the information to send the purchaser service reminders and promotional offers.

Nothing contained in this warranty is intended to restrict, modify, or exclude the operation of the provisions contained in Part V of the Trade Practices Act 1974 (amended) or any similar substantial amendment.

SERVICE HOTLINE: FOR ADVICE ON THE OPERATION OF YOUR VALET VACUUM SYSTEM CONTACT YOUR VALET DEALER ON FREE CALL 1800 050 333.

YOUR NEW VALET SYSTEM:

MODEL No. **SERIAL No.**

TO REGISTER YOUR GUARANTEE, PLEASE FILL OUT THIS CARD AND MAIL WITHIN 30 DAYS OF PURCHASE

Purchaser

Address

..... P/Code

Tel. No

E-mail

Model No
(shown on centre front of unit ie. V1S, V2S)

Serial No
(see lower side of unit)

Date

Dealer's Name

Was the Valet System installed by a Valet Dealer? Yes No

Was your new Valet System installed in a
New Home Existing Home

*How satisfied are you with the performance
of your Valet System?*

Very Satisfied Satisfied Unsatisfied

Comments

*What led you to enquire about purchasing a Valet
Alarm or Intercom System?*

- Friend's recommendation
- Yellow Pages advertisement
- Other advertisement
- Home/Building Show
- Direct Mail

Any other comments

YOUR NEAREST VALET DEALER

For Valet Consumables, Sales or Service
please call 1800 050 333

Your call will be directed to your nearest Valet Dealer

INTERESTED IN OTHER VALET PRODUCTS?

Why not visit our Web site

www.valet.com.au

For the latest Valet Home Products Catalogue

VALET PRODUCTS

Ducted Vacuum

Home Security and Alarm Systems

Front Door or Gate Intercom or Video Intercom

Home Automation with entire House Communications

VALET Ducted Vacuum Accessories

Genuine Valet Filter Bags

Floor Tools, Soft & Hard surface, Turbo Heads

Vacuum Tools for Crevice, Giant crevice, upholstery

Telescopic Rods, Micro Car kit Attachments

Hose Hangers and De luxe Hose Hangers

Hose Socks / Vacuum Noise Mufflers

Call your dealer NOW 1800 050 333

VALET

Solutions for Smarter Living.

A Division of ELECTRICAL HOME AIDS PTY LTD

ACN 007 539 577

CARE AND OPERATION OF DUCTED VACUUM SYSTEM

Cleaning Attachments — Hose/Wands/Tools

Your Valet system is supplied with either a 9-metre standard hose or a 9-metre switch handle hose.

STANDARD HOSE: This is supplied with two straight wands, a curved wand and a hose cuff which need to be screwed onto the hose in an anti-clockwise action. The straight wands then slip onto the curved wand and cleaning attachments can be selected.

SWITCH HANDLE HOSE: This hose is supplied with the curved wand and the hose cuff permanently attached to the hose — simply slide on straight wands and cleaning attachments as desired.

Because carpets vary so much in type, texture, tuft and height it is not always possible to ensure the right carpet head is supplied to suit your carpets. Special heads are therefore available for demonstration and can be purchased from your local Dealer if required.

DELUX SWITCH HOSE: As with the switch handle hose but includes your Power Head System.

STARTING VACUUMING

STANDARD HOSE: Open the lid of the vacuum inlet and insert the hose cuff into the opening of the inlet — this will turn the unit ON automatically. To turn OFF simply remove hose cuff from outlet. Do not allow inlets to slam shut when hose cuff is being removed — allow suction to reduce before closing inlet.

SWITCH HANDLE HOSE: Open lid of the inlet and insert hose cuff into the opening of the inlet — slotting the key of the cuff into the space provided. Turn unit ON at the handle. To turn unit OFF — push switch on handle to "OFF" and remove from inlet.

DELUX SWITCH HANDLE HOSE: As with the switch handle hose above, when using your power head remember to plug in your power lead when connecting your vacuum hose to the inlet.

VACUUM POWER UNIT

The power unit does not require any oil. The bearings in the motor(s) are greased and sealed for life. The motor carbon brushes must wear if the unit is to function properly. Brush life is affected by humidity, altitude, temperature and the number of stop starts so there can be widespread brush life. In average home-use the life of your motor brushes should be around 4-6 years. The cost of replacing these brushes is not appreciable, but the damage done to the motor(s) through not replacing them before they are completely worn is considerable. Should you therefore be using your system a lot, notify your local Dealer so he can check them more frequently.

PUSH TO RESET CIRCUIT BREAKERS

Located on the side of the dirt canister is a PRESS TO RESET CIRCUIT BREAKER. In the event of over current or extremely high temperature the button will pop out about 12mm. To reset, simply push the button in until it protrudes 3mm and stays in. Should the breaker pop out again when the unit is used call your local Valet Dealer.

REMOVING THE ACCUMULATED DEBRIS FITTING AND CHANGING THE DISPOSABLE PAPER BAG

- 1) Ensure your Ducted Vacuum system is switched off at the power point.
- 2) Remove the lid by lifting it straight up from the dirt canister
- 3) Carefully remove existing bag by gently pulling at the cardboard collar. The bag is durable, but ensure you take care if the bag looks overfull or hasn't been changed for some time.
- 4) Unfold your NEW disposable paper bag at the seams and extend it fully so there is a good volume of air inside it.
- 5) Take hold of the cardboard support of the bag and associated rubber gasket that surround the hole in the middle of it and slip it well over the exposed end of the bag adaptor

Note: It is not necessary to enlarge the bag opening as it will fit over the adaptor with a little persuasion.

- 6) Replace the lid on the dirt canister. Failure to do so will mean there is no vacuum created and hence no suction. Check your power supply is switched back on.

After initial use the filter bag should be checked weekly until some idea can be obtained as to how long it takes to fill under your normal cleaning routine.

The bag will fill much more rapidly if new carpets are being cleaned as there is usually a tremendous quantity of loose fibres that are retained in the carpet from the manufacturing process. The filter bag should therefore be changed when it is approximately 3/4 full or whenever there is a noticeable reduction in air flow at the wand or cleaning head.

Once your carpets have settled down you should expect to use no more than 2 bags per year (av 20-24 sq. home).

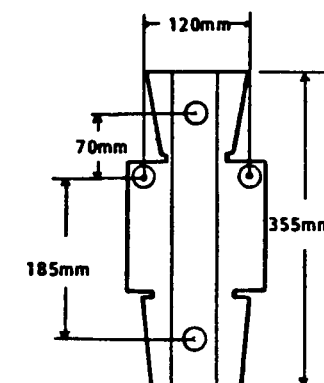
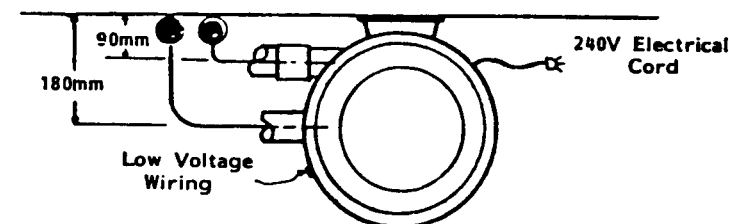
TIPS ON CARE OF YOUR DUCTED VACUUM SYSTEM

Your power unit is warranted against defective materials and workmanship but not against misuse. There is a service charge for repairing or replacing damaged or misused components of the system or for unnecessary service calls. Your ducted system is a lifetime improvement for you and your family. Follow these simple tips and you will enjoy it for many years:

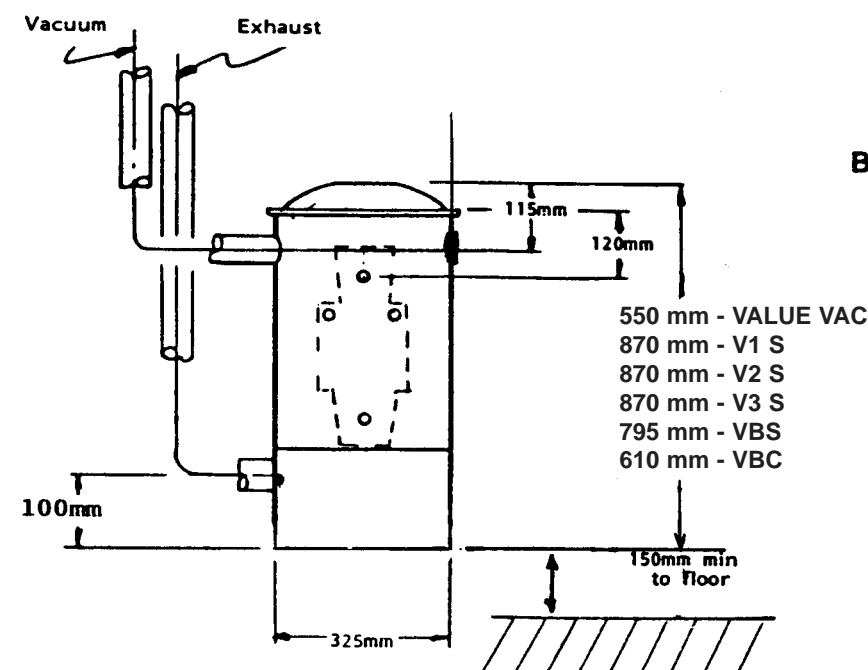
1. USE CARE ABOUT PLACING ANYTHING UNDER THE POWER UNIT. Loose cloth, paper or plastic may be pulled up against the motor cooling air intake causing your power unit to overheat.
2. DO NOT OVERFILL YOUR FILTER BAG. Allowing your filter bag to become over 3/4 full may result in rupture or over stress of the bag and loss of cleaning ability.
3. USE ONE OUTLET AT A TIME TO MAINTAIN PROPER AIR FLOW. To use more than one vacuum outlet at a time reduces the air flow below that is required to effectively deep clean your carpets.
4. STORE YOUR HOSE AND TOOLS PROPERLY. When not in use, always hang up your hose and store the cleaning tools and wands in a place where they will not be damaged.
5. HOLD OUTLET DOOR OPEN WHEN REMOVING HOSE. After removing the hose from the outlet, hold the outlet door open for a few seconds:
 - (a) To make sure the unit has stopped
 - (b) To clear any residual dirt out of the vacuum ducting
6. DO NOT PICK UP LIQUIDS. Do not pull liquids into the vacuum ducting since any liquid left in the ducting
 - (a) May cause major motor damage - not covered by warranty.
 - (b) May drain back out of the wall outlets and cause streaking of the walls.
 - (c) May cause dirt build-up in the ducting that could eventually clog the system.

INSTALLATION OF BAG TYPE VACUUM UNITS

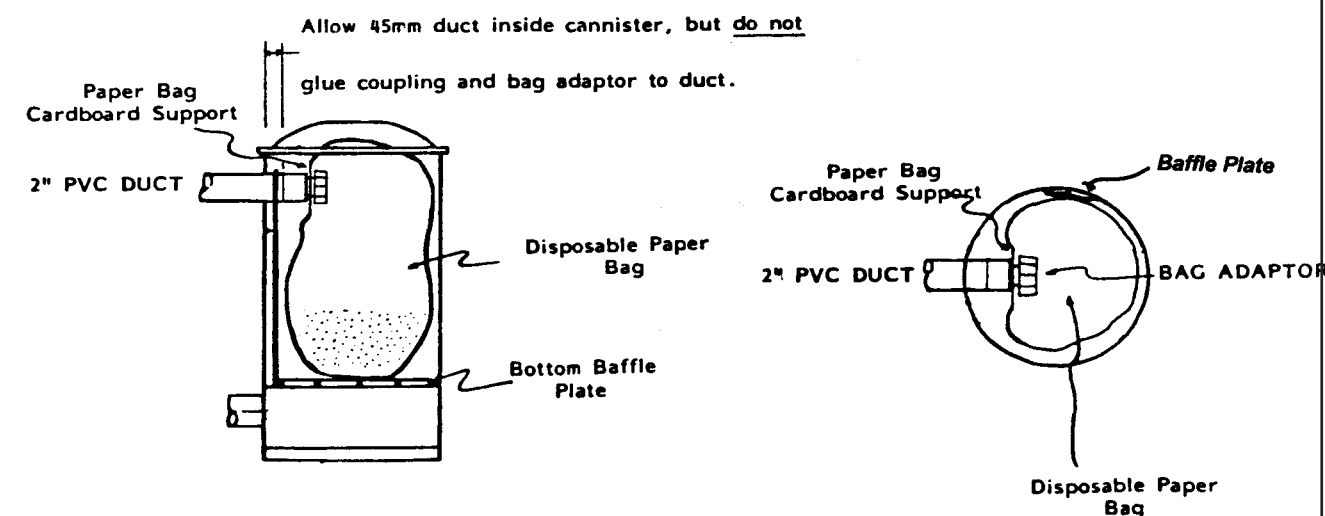
MOUNTING OF POWER UNIT & DIMENSIONS



BACK PLATE DIMENSIONS

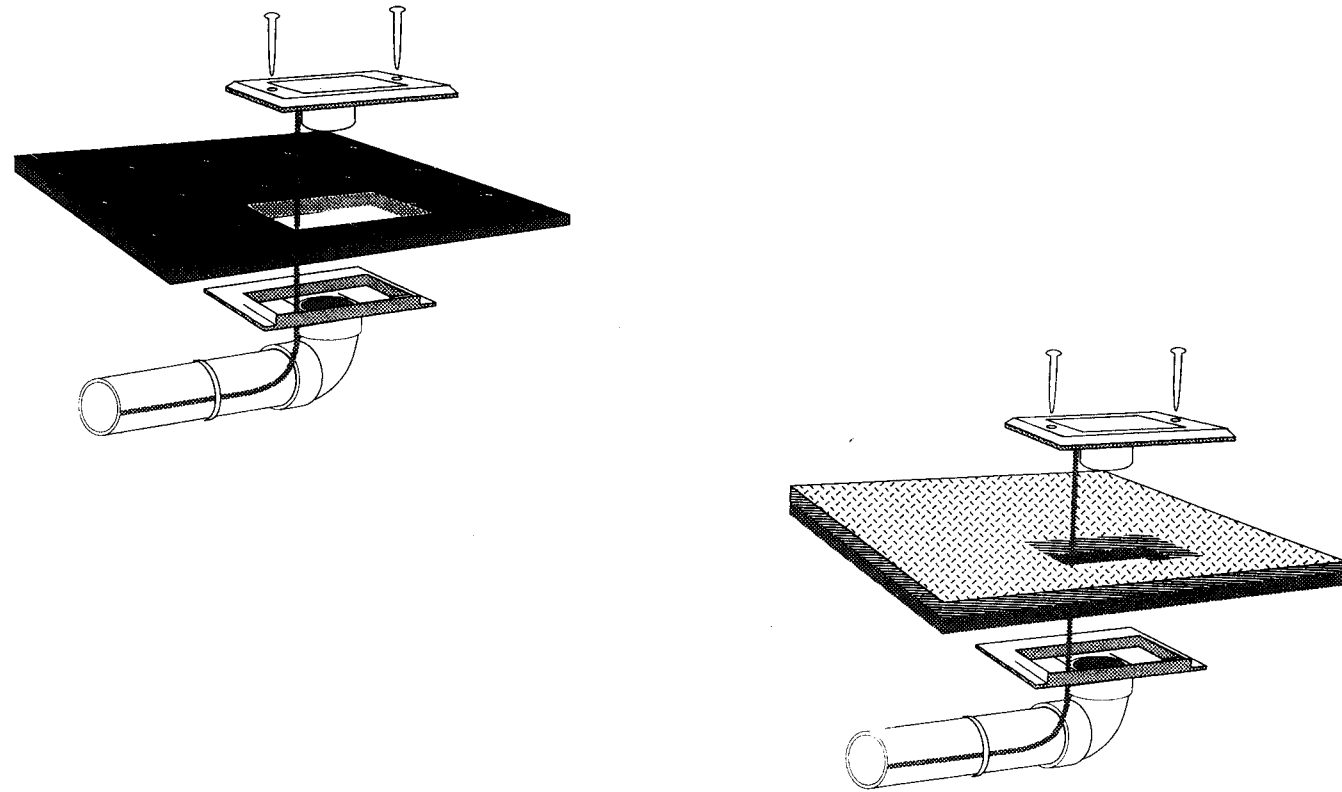


FITTING OF FILTER BAGS



INSTALLATION INSTRUCTIONS

INSTALLATION OF VACUUM INLET ON FLOOR



Careful planning of a Ducted Vacuum System is imperative. For the best results from your system, keep the ducting run as straight and direct as possible — using the minimum amount of bends and elbows. Please seek advice from your local Dealer should you have any queries.

DETERMINE POWER UNIT AND OUTLET LOCATIONS

The power unit can be located in a garage (preferably attached to the house), under the house, if clearance permits, plantroom or on the external wall. Please note that if the unit will be exposed to the weather, a weatherproof unit must be installed.

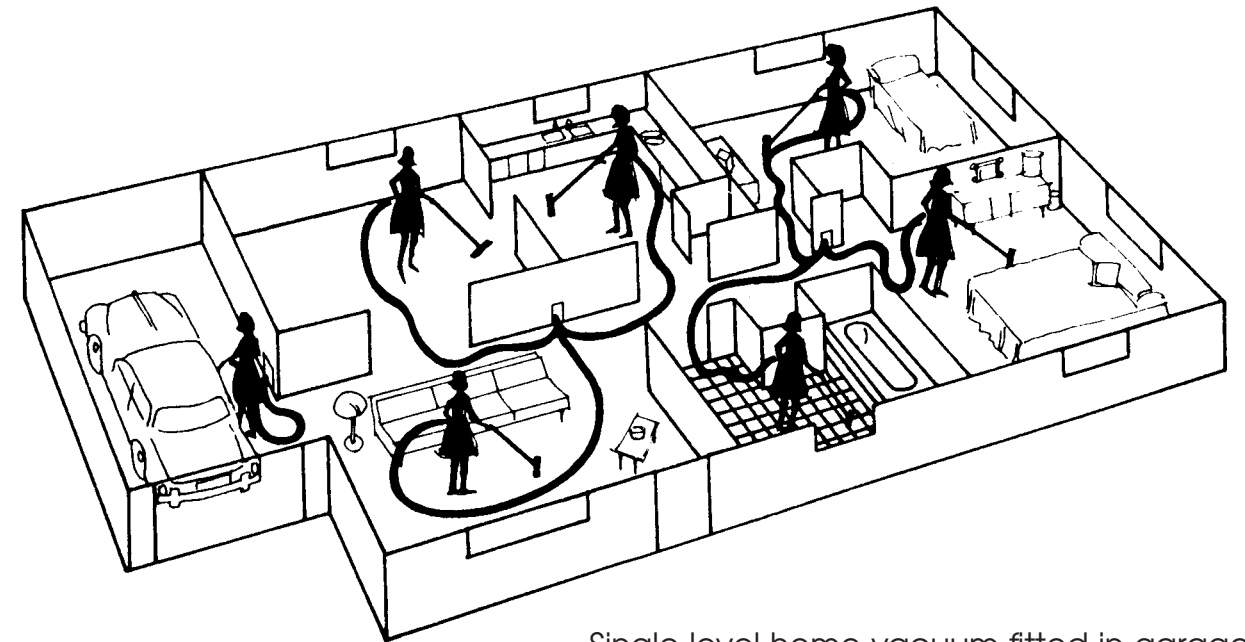
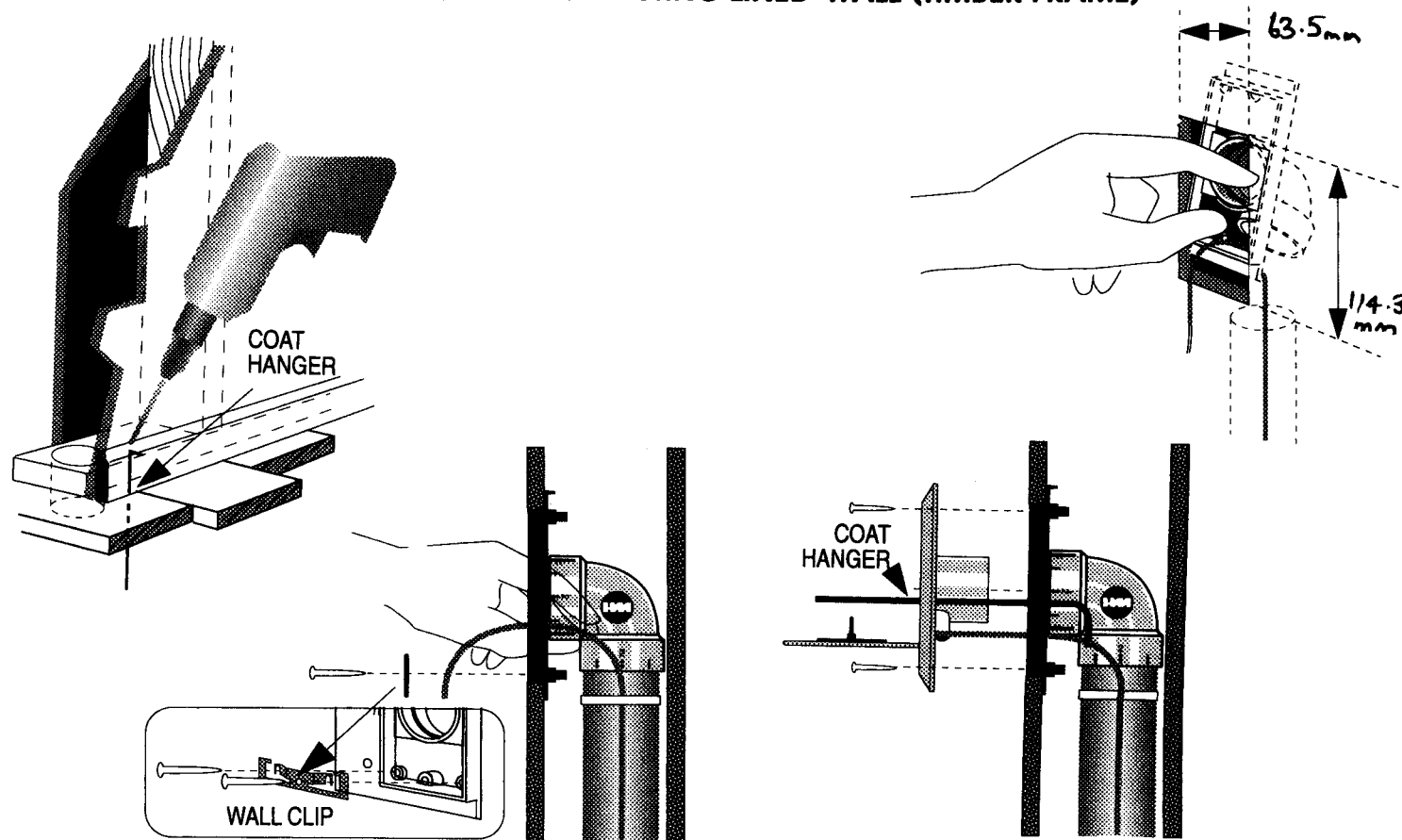
It is preferable not to install the unit inside the house.

INLET LOCATIONS

In determining locations of inlet valves, accessibility and convenience should be kept in mind — for example locations in hallways, near door openings, etc. are ideal locations that will not be obstructed by furniture.

To determine the location and coverage of the inlet valve, assume a hose length of 9 metres (standard hose length). If working with a plan, a length of string can be cut according to the scale of the plan (e.g., on a 1:100 scale — cut a 9cm piece of string). With this string, calculate the maximum coverage of proposed inlets. Inlets are best centralised to make maximum use of coverage, remember to allow for proposed furniture, doorways, etc. With an existing hose, measure out a 9-metre length of string and starting from the end of the home, see how much area can be covered. It is always advisable to have some overlap to allow for unseen obstacles.

INSTALLATION OF VACUUM INLET INTO EXISTING LINED-WALL (TIMBER FRAME)



Single level home vacuum fitted in garage
3 outlets (inc garage)

Please contact your local dealer should you have any difficulties with installation or performance of your Valet system.

INSTALLATION

P.V.C. Run

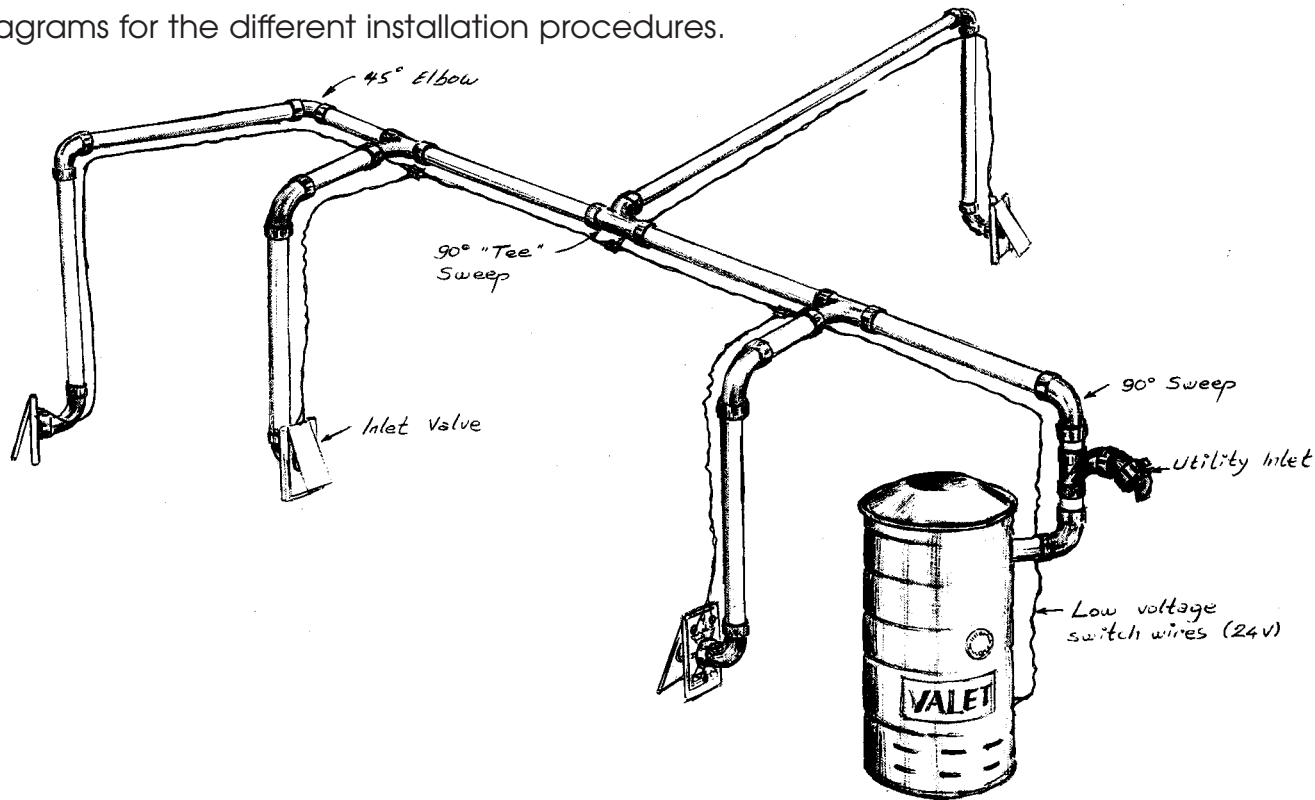
Once the power unit and outlet locations have been determined, work out the ducting run to join inlets together and back to the unit. (see diagram 1).

OVERHEAD — If the house is on a concrete slab or has no under floor access, the ductwork will be run through the roof back to the motor location. The pipe work is clipped to the rafters and dropped down to studs to each inlet.

NOTE: Always work up and down with the studs — do not run ductwork through studs.

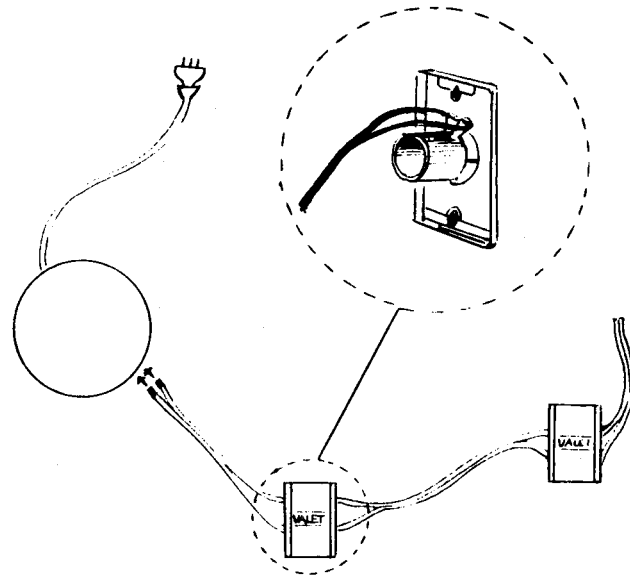
UNDERNEATH — If the floor is timberlined and there is ample crawl space, the pipework can be installed underneath the house, clipping the pipework to the floor joints or bearers and run up to each inlet.

See diagrams for the different installation procedures.

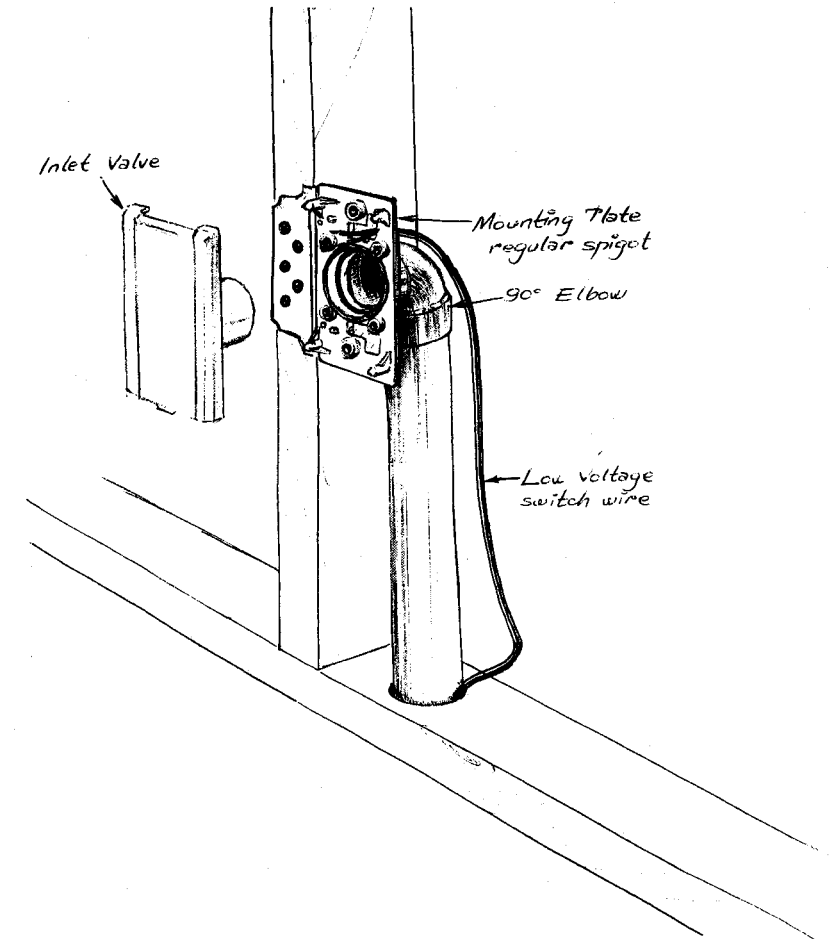


WIRING

When the pipework is finished, the wiring for the 24-volt control circuit has to be installed. Starting from the inlet furthest from the motor, run the twin active cable (Fig. 8) along the pipework connecting each inlet in series. Bring the wire through the hole provided in the back plate, and tie a knot so the wire will not be lost. If home under construction, screw the plasterguards on to the back plates using 2" self tappers. The plasterer will cut around leaving perfect size hole. If existing home, connect inlets as in diagrams.



INSTALLATION OF VACUUM INLET ON STUD WALL



INSTALLATION OF VACUUM INLET IN BRICK WALL

